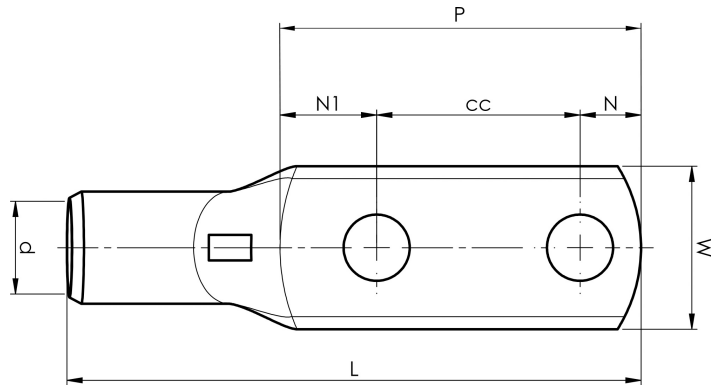


KRF25-6X2-16

- Material: Cu 99.95%, tin plated Cu/Sn.
- Inspection hole
- For stranded (class 2) and multi-stranded (class 5) Cu conductors, for multi-stranded Cu conductors contact crimping using the Dual system is recommended.
- UL-approved.



Example of marking KRF: 17 (neck) Elpress logotype 70 10F (palm)

17 = Die No. 70 = mm² 10 = palm hole for M10 F = type KRF for stranded and flexible conductors.

2 holed tube terminal for multi-stranded (class 5) and stranded (class 2) Cu-conductors (acc. to IEC 60228), 25 mm², with two M6 holes in the palm.

Used with Elpress certified systems V600, V1300 or V250.



Item number: **7301-503900**

EAN: **7393487038370**

W (mm): **16**
t (mm): **2.9**
N (mm): **6.5**
N1 (mm): **8.5**
P (mm): **31**
cc (mm): **16**
f (mm): **1**
d (mm): **8**
D (mm): **11**
L (mm): **54**
s (mm): **13**

Screw: **M6x2**

Inspection hole: **Yes**

AWG/MCM Cu: **4 AWG**

mm² Cu: **25**