

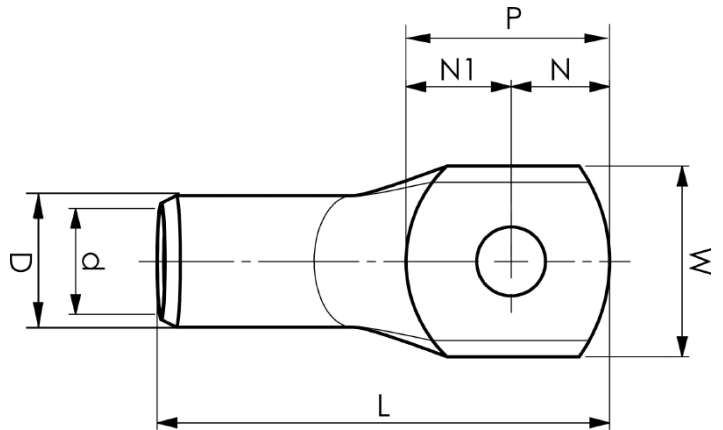
KRD tube terminals 16 - 1000 mm²

KRD95-00

- Material: Cu 99.95%, tin plated Cu/Sn.
- Inspection hole.
- For stranded (class 2) Cu conductors.

Example of marking KRD: 14 (neck) Elpress logotype 70 10 (palm)

14 = Die No. 70 = mm² 10 = palm hole for M10
Tube terminal type KRD for stranded (class 2) Cu conductors, 95 mm², without a hole in the palm.
Used with Elpress certified systems V600, V1300 or V250.



Item number: **7301-112100**

EAN: **7393487007154**

W (mm): **28**

t (mm): **2.5**

P (mm): **31**

f (mm): **1**

d (mm): **13**

D (mm): **16**

L (mm): **67**

s (mm): **26**

Inspection hole: **Yes**

AWG/MCM Cu: **3/0 AWG**

mm² Cu: **95**