

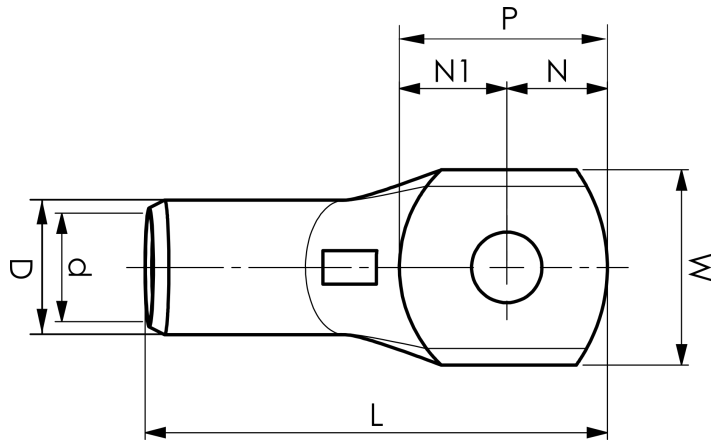
KRD tube terminals 16 - 1000 mm²

KRD70-00

- Material: Cu 99.95%, tin plated Cu/Sn.
- Inspection hole.
- For stranded (class 2) Cu conductors.

Example of marking KRD: 14 (neck) Elpress logotype 70 10 (palm)

14 = Die No. 70 = mm² 10 = palm hole for M10
Tube terminal type KRD for stranded (class 2) Cu conductors, 70 mm², without a hole in the palm.
Used with Elpress certified systems V600, V1300 or V250.



Item number: **7301-443900**

EAN: **7393487007147**

W (mm): **25**

t (mm): **2.2**

P (mm): **31**

f (mm): **1**

d (mm): **11.3**

D (mm): **14**

L (mm): **63**

s (mm): **23**

Inspection hole: **Yes**

AWG/MCM Cu: **2/0 AWG**

mm² Cu: **70**