

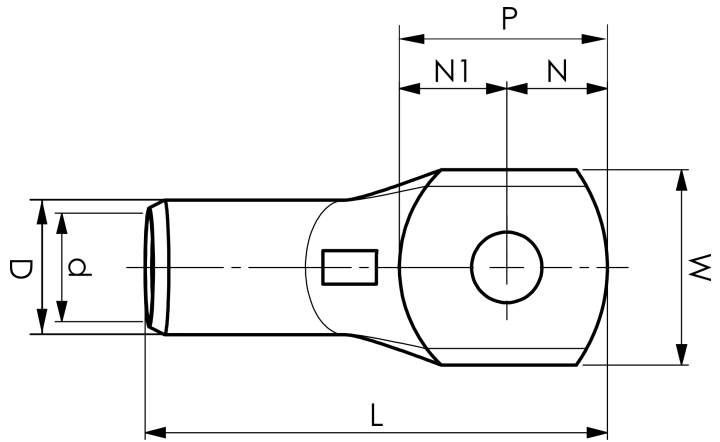
KRD tube terminals 16 - 1000 mm<sup>2</sup>

# KRD120-00

- Material: Cu 99.95%, tin plated Cu/Sn.
- Inspection hole.
- For stranded (class 2) Cu conductors.

## Example of marking KRD: 14 (neck) Epress logotype 70 10 (palm)

14 = Die No. 70 = mm<sup>2</sup> 10 = palm hole for M10  
Tube terminal type KRD for stranded (class 2) Cu conductors, 120 mm<sup>2</sup>, without a hole in the palm.  
Used with Epress certified systems V600, V1300 or V250.



Item number: **7301-112200**

EAN: **7393487007161**

W (mm): **28**

t (mm): **3.8**

P (mm): **31**

f (mm): **1**

d (mm): **15**

D (mm): **19**

L (mm): **70**

s (mm): **26**

Inspection hole: **Yes**

AWG/MCM Cu: **4/0 AWG**

mm<sup>2</sup> Cu: **120**