

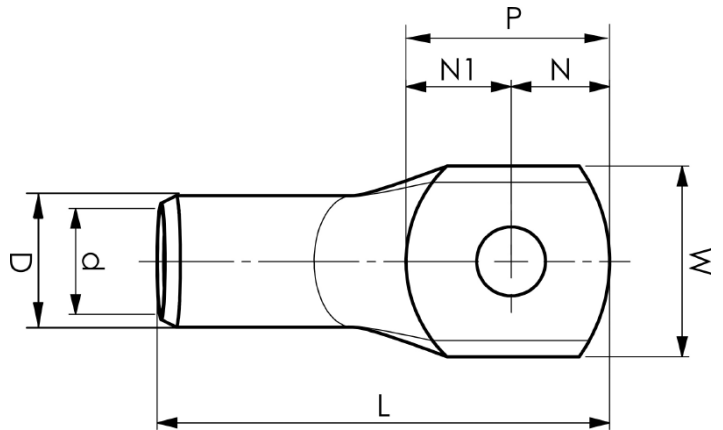
KRT tube terminals 10 - 500 mm<sup>2</sup>

# KRT300-24

- Material: Cu 99.95%, tin plated Cu/Sn.
- Inspection hole.
- For stranded (class 2) Cu conductors.

## Example of marking KRT: 16 (neck) Elpress logotype 70 10 (palm)

16 = Die No. 70 = mm<sup>2</sup> 10 = palm hole for M10  
Tube terminal type KRT for stranded (class 2) Cu  
conductors, 300 mm<sup>2</sup>, with an M24 hole in the palm.  
Used with Elpress certified systems V1300 or V250.



Item number: **7301-280600**

EAN: **7393487044975**

W (mm): **45**

t (mm): **5.3**

d (mm): **24**

D (mm): **30**

L (mm): **108**

s (mm): **42**

AWG/MCM Cu: **550 MCM**

mm<sup>2</sup> Cu: **300**