

KRF35-10X2-40

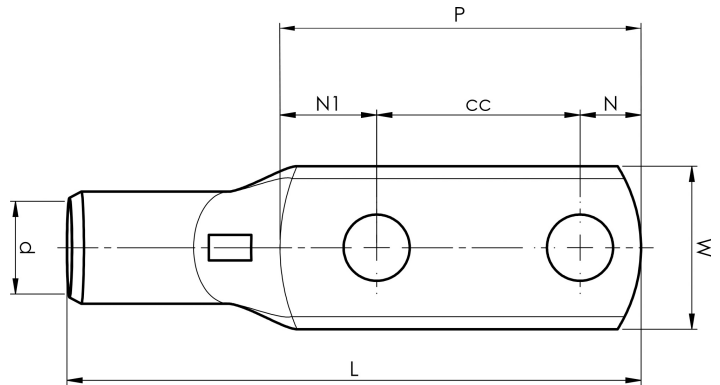
- Material: Cu 99.95%, tin plated Cu/Sn.
- Inspection hole.
- For stranded (class 2) and multi-stranded (class 5) Cu conductors, for multi-stranded Cu conductors contact crimping using the Dual system is recommended.
- UL-approved.

Example of marking KRF: 17 (neck) Elpress logotype 70 10F (palm)

17 = Die No. 70 = mm² 10 = palm hole for M10 F = type KRF for stranded and flexible conductors.

2 holed tube terminal for multi-stranded (class 5) and stranded (class 2) Cu-conductors (acc. to IEC 60228), 50 mm², with two M10 holes in the palm.

Used with Elpress certified systems V600, V1300 or V250.



Item number: **7301-493400**

EAN: **7393487063051**

W (mm): **20**

t (mm): **3.5**

N (mm): **11**

N1 (mm): **19**

P (mm): **70**

cc (mm): **40**

f (mm): **1**

d (mm): **9**

D (mm): **13**

L (mm): **95**

s (mm): **16**

Screw: **M10x2**

Inspection hole: **Yes**

AWG/MCM Cu: **2 AWG**

mm² Cu: **35**