

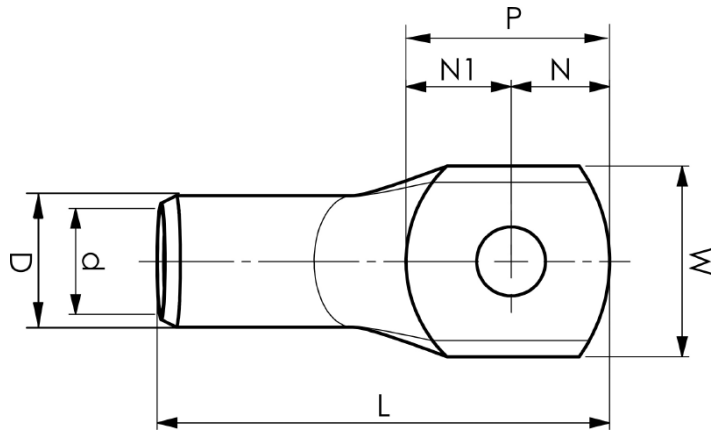
KRF300A-24

- Material: Cu 99.95%, tin plated Cu/Sn.
- With inspection holes.
- For stranded (class 2) and multi-stranded (class 5) Cu conductors, for multi-stranded Cu conductors contact crimping using the Dual system is recommended.
- UL-approved, DNV approved.

Example of marking KRF: 17 (neck) Elpress logotype 70 10F (palm)

17 = Die No. 70 = mm² 10 = palm hole for M10 F =
type KRF for stranded and flexible conductors.

Tube terminal for multi-stranded (class 5) and
stranded (class 2) 300 mm² Cu conductors (acc. to
IEC 60228), with an M24 hole in the palm. Used
with Elpress certified systems V1300 or V250.



Item number: **7301-516700**

EAN: **7393487076846**

W (mm): **46**
t (mm): **6.8**
N (mm): **23**
N1 (mm): **25**
P (mm): **48**
f (mm): **1.75**
d (mm): **24.5**
D (mm): **31,5**
L (mm): **110**
s (mm): **44**

Screw: **M24**

AWG/MCM Cu: **550 MCM**
mm² Cu: **300**