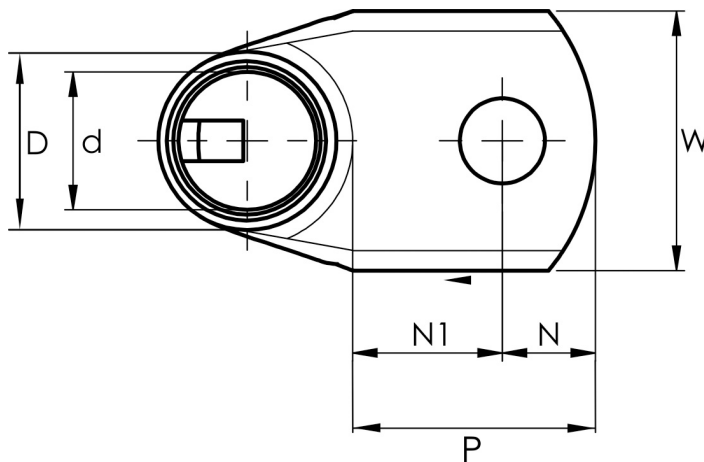


KRF angled terminals 90°, 10 - 185 mm<sup>2</sup>

# KRF185-16-90GR-SB



UK  
CA



Item number: **7301-497600**

EAN: **7393487076761**

A (mm): **42.5**

W (mm): **39**

t (mm): **5.9**

N (mm): **15.5**

N1 (mm): **20.5**

P (mm): **36**

d (mm): **21**

D (mm): **27**

s (mm): **37**

Screw: **M16**

Angle (°): **90**

Inspection hole: **Yes**

AWG/MCM Cu: **350 MCM**

mm<sup>2</sup> Cu: **185**

Image not found or type unknown