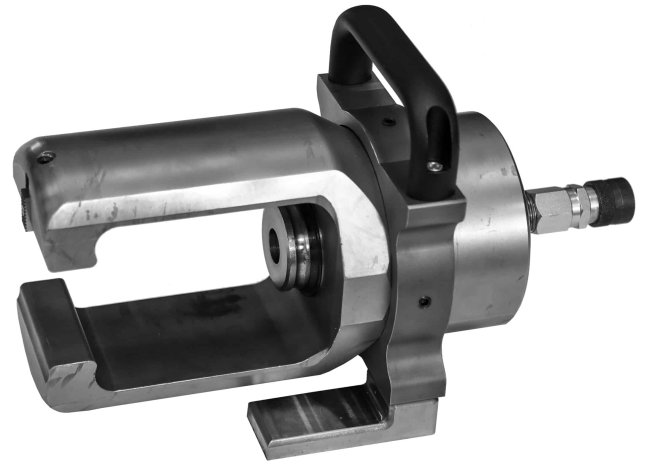


350-system (35 t)

DV350

Powerful 35 tons crimp head with Elpress DUAL-system

- Crimps aluminium and copper up to 1000 mm²
- DUAL crimp dies for crimping of copper 240-400 mm²
- Crimp die for crimping of copper 400-1000 mm²
- Matrix and punch for crimping of aluminium 300-1000 mm²
- Delivered fixed on a solid foot with a handle
- The head is used together with the electrically driven pump PS710 (the battery powered version, PS710E, is also available)



Item number: **5208-350000**

EAN: **7393487087101**

Delivery box: **Plywood box**

Crimp geometries: **Punch, Dual, Hexagonal, Oval**

Working pressure (MPa): **630**

Quick connector: **Yes**

AWG/MCM Stranded Al: **550 - 2000 MCM**

AWG/MCM Solid Al: **6 AWG - 550 MCM**

AWG/MCM Cu: **700 - 2000 MCM**

mm² Stranded Al: **300-1000**

mm² Solid Al: **16-300**

mm² Cu: **400-1000**

Crimp range Cu-terminals min (mm²): **400**

Crimp range Cu-terminals max (mm²): **1000**

Crimp range C-connectors min (mm²): **95**

Crimp range C-connectors max (mm²): **300**

Crimp range Al-terminals min (mm²): **300**

Crimp range Al-terminals max (mm²): **1000**