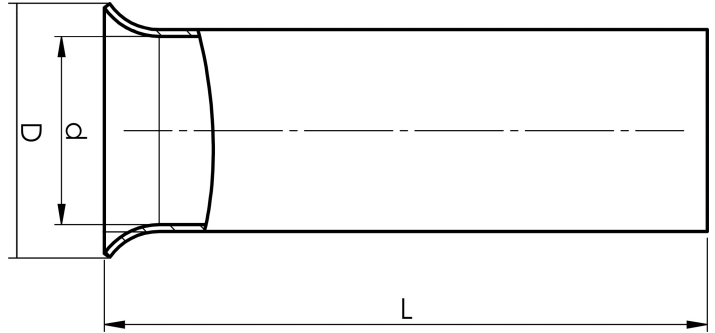


Uninsulated end terminals 0.25 - 50 mm<sup>2</sup>

# B1-6ET

- Material: Cu 99.95%, tin plated Cu/Sn, dimensions according to DIN46228, CSA approved.

Uninsulated end terminal, 1 mm<sup>2</sup>. Used with certified tool PEB0110T.



Item number: **7304-004800**

EAN: **7393487013360**

d (mm): **1.4**

D (mm): **2,5**

L (mm): **6**

s (mm): **6**

Working temperature, Min (°C): **-40**

Working temperature, Max (°C): **40**

Material: **Cu, Cu/Sn**

Measures acc DIN46228: **Yes**

AWG/MCM Cu: **18 AWG**

mm<sup>2</sup> Cu: **1**