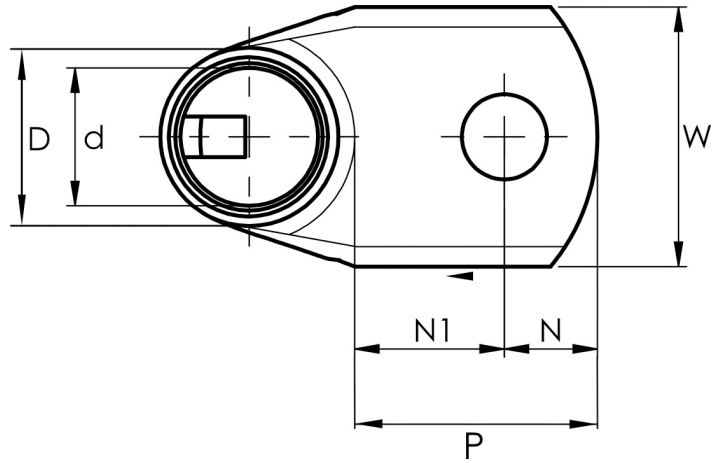


KRF angled terminals 90°, 10 - 185 mm²

KRF185-10-90GR-SB



Item number: **7301-515000**

EAN: **7393487076815**

A (mm): **42.5**

W (mm): **39**

t (mm): **5.9**

N (mm): **11.5**

N1 (mm): **18.5**

P (mm): **30**

d (mm): **21**

D (mm): **27**

s (mm): **37**

Screw: **M10**

Angle (°): **90**

Inspection hole: **Yes**

AWG/MCM Cu: **350 MCM**

mm² Cu: **185**