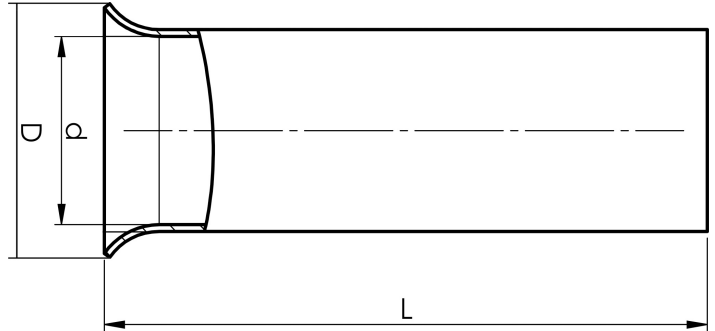


Uninsulated end terminals 0.25 - 50 mm<sup>2</sup>

# B1-12ET

- Material: Cu 99.95%, tin plated Cu/Sn, CSA approved.

Uninsulated end terminal, 1 mm<sup>2</sup>. Used with certified tool PEB0110T.



Item number: **7304-005100**

EAN: **7393487013391**

d (mm): **1.4**

D (mm): **2,5**

L (mm): **12**

s (mm): **12**

Working temperature, Min (°C): **-40**

Working temperature, Max (°C): **40**

Material: **Cu, Cu/Sn**

AWG/MCM Cu: **18 AWG**

mm<sup>2</sup> Cu: **1**