

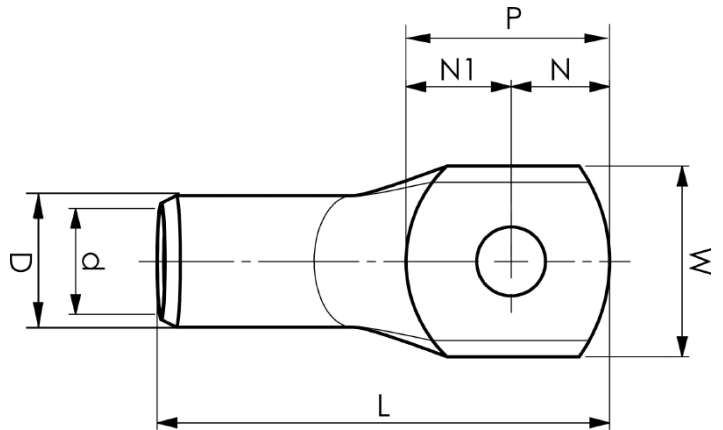
KRT tube terminals 10 - 500 mm<sup>2</sup>

# KRT70-6

- Material: Cu 99.95%, tin plated Cu/Sn.
- Inspection hole.
- For stranded (class 2) Cu conductors.

## Example of marking KRT: 16 (neck) Elpress logotype 70 10 (palm)

16 = Die No. 70 = mm<sup>2</sup> 10 = palm hole for M10  
Tube terminal type KRT for stranded (class 2) Cu  
conductors, 70 mm<sup>2</sup>, with an M6 hole in the palm.  
Used with Elpress certified systems V600, V1300 or  
V250.



Item number: **7301-455500**

EAN: **7393487015951**

W (mm): **23**

t (mm): **3.9**

d (mm): **12**

D (mm): **16**

L (mm): **55**

s (mm): **23**

AWG/MCM Cu: **2/0 AWG**

mm<sup>2</sup> Cu: **70**