

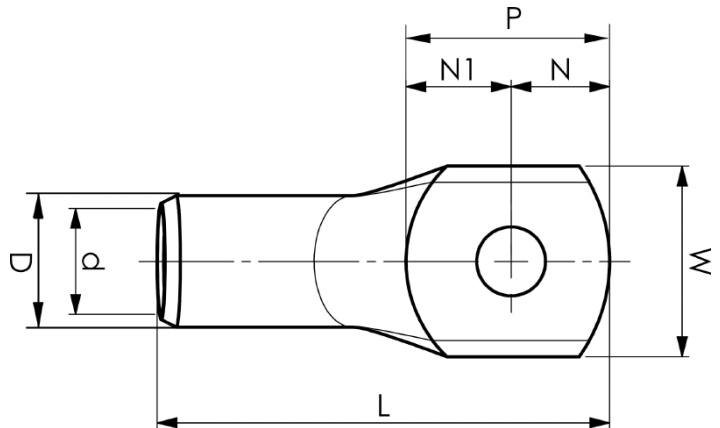
KRT tube terminals 10 - 500 mm²

KRT185-20

- Material: Cu 99.95%, tin plated Cu/Sn.
- Inspection hole.
- For stranded (class 2) Cu conductors.

Example of marking KRT: 16 (neck) Elpress logotype 70 10 (palm)

16 = Die No. 70 = mm² 10 = palm hole for M10
Tube terminal type KRT for stranded (class 2) Cu
conductors, 185 mm², with an M20 hole in the palm.
Used with Elpress certified systems V600, V1300 or
V250.



Item number: **7301-278900**

EAN: **7393487007741**

W (mm): **35**

t (mm): **4.9**

N (mm): **19**

N1 (mm): **19**

P (mm): **38**

d (mm): **19**

D (mm): **24**

L (mm): **86**

s (mm): **32**

Screw: **M20**

Inspection hole: **Yes**

AWG/MCM Cu: **350 MCM**

mm² Cu: **185**