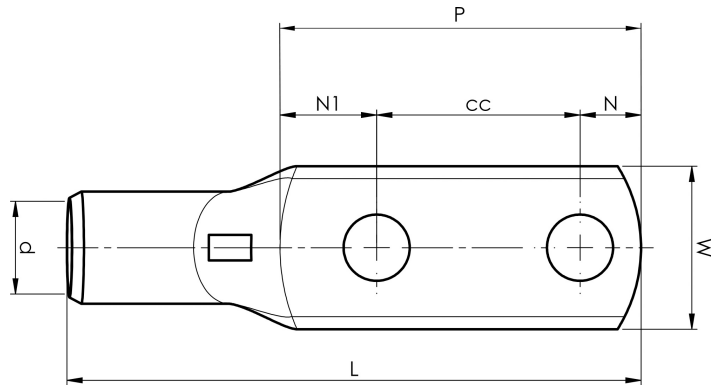


# KRF25-14X2-40

- Material: Cu 99.95%, tin plated Cu/Sn.
- Inspection hole
- For stranded (class 2) and multi-stranded (class 5) Cu conductors, for multi-stranded Cu conductors contact crimping using the Dual system is recommended.
- UL-approved.



## Example of marking KRF: 17 (neck) Elpress logotype 70 10F (palm)

17 = Die No. 70 = mm<sup>2</sup> 10 = palm hole for M10 F = type KRF for stranded and flexible conductors.

2 holed tube terminal for multi-stranded (class 5) and stranded (class 2) Cu-conductors (acc. to IEC 60228), 25 mm<sup>2</sup>, with two M14 holes in the palm.

Used with Elpress certified systems V600, V1300 or V250.



Item number: **7301-522700**

EAN: **7393487089464**

W (mm): **22**

t (mm): **1.8**

N (mm): **15**

N1 (mm): **17**

P (mm): **72**

cc (mm): **40**

f (mm): **1**

d (mm): **8**

D (mm): **11**

L (mm): **94**

s (mm): **13**

Screw: **M14x2**

Inspection hole: **Yes**

AWG/MCM Cu: **4 AWG**

mm<sup>2</sup> Cu: **25**